

**PRODUCT LINEUP: SPLIT**

**Cassette**  
**Circular Flow**

Comfort for large room

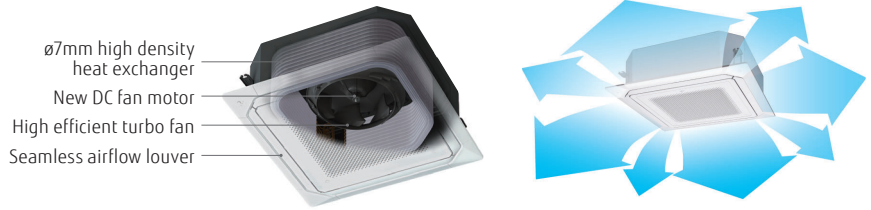


(30/36/45/54)



**Unique Circular Flow design**

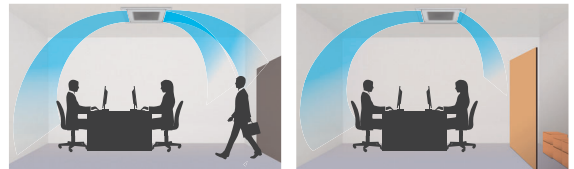
New Cassette type realizes Circular Flow to blow large airflow in 360° direction by mounting high performance DC fan motor, new turbo fan and unique seamless airflow louver design.



**Individual louver control**

Each louver can be set individually by Touch Panel Wired Remote Controller to enjoy the comfort of different directional airflows according to various room layouts.

\*Touch Panel Wired RC (UTY-RNRYZ2) only



Comfortable air conditioning by preventing direct blowing of cold air and by providing swinging air flow simultaneously.

Efficient air conditioning based on the room layout

**Human sensor increases more energy saving**

Energy saving operation starts automatically by detecting the motion of a person. 2 modes of save operation mode and stop mode can be selected.



Human sensor (Option)

2 modes can be selected.

**Auto saving** Power is saved while people are away.

**Auto OFF** Operation stops after people go out.

\*Touch Panel Wired RC (UTY-RNRYZ2) only

**Various Cassette Grille**

Both black and white color grilles are available. There are three types, white color grille with Remote Controller, only white color grille and only black color grille. Possible to choose according to the atmosphere and the use of the room.



**UTG-UKYA-W**  
White Color Grille  
With touch panel wired remote controller

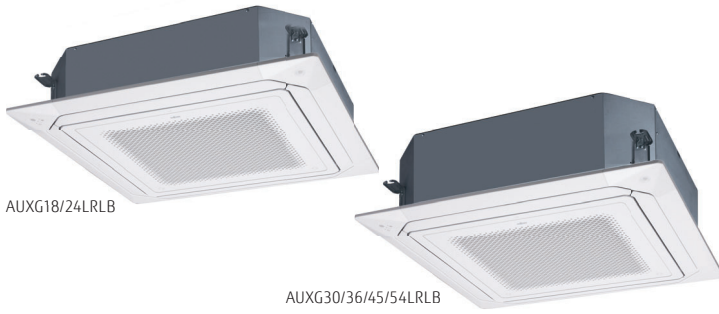


**UTG-UKYA-B**  
Black Color Grille



**UTG-UKYC-W**  
White Color Grille

**Model: AUXG18LRLB / AUXG24LRLB  
AUXG30LRLB / AUXG36LRLB / AUXG45LRLB / AUXG54LRLB**



Touch Panel Wired R.C.



For AUXG18/24LRLB For AUXG30/36LRLB For AUXG45/54LRLB

**Specifications**

Model No.	Indoor unit		AUXG18LRLB	AUXG24LRLB	AUXG30LRLB	AUXG36LRLB	AUXG45LRLB	AUXG54LRLB
	Outdoor unit		AOYG18LBCA	AOYG24LBCA	AOYG30LBTA	AOYG36LBTA	AOYG45LBTA	AOYG54LBTA
Power Source			Single-phase, ~230V, 50Hz					
Capacity	Cooling	kW	5.2 (0.9-6.5)	6.8 (0.9-8.0)	8.5 (2.8-10.0)	9.5 (2.8-11.2)	12.5 (4.0-14.0)	13.3 (4.5-14.5)
	Heating		6.0 (0.9-8.0)	7.8 (0.9-9.1)	10.0 (2.7-11.2)	10.8 (2.7-12.7)	14.0 (4.2-16.2)	15.8 (4.7-16.5)
Input Power	Cooling/Heating		1.42/1.50	2.16/2.18	2.56/2.77	2.96/2.91	3.85/3.73	4.38/4.58
	EER	Cooling	3.66	3.15	3.32	3.21	3.25	3.04
COP		Heating	4.00	3.58	3.61	3.71	3.75	3.45
	Pdesign	Cooling/Heating(-10°C)		5.2/4.3	6.8/6.0	8.5/8.0	9.5/8.7	-
SEER		Cooling	7.05	6.60	6.70	6.40	-	-
	SCOP	Heating (Average)		4.40	4.20	4.30	4.30	-
Energy Efficiency Class		Cooling	A++	A++	A++	A++	-	-
	Heating (Average)		A+	A+	A+	A+	-	-
Max. Operating Current	Cooling/Heating		10.0/13.5	13.5/18.5	17.0/17.0	20.0/20.0	20.5/20.5	21.5/21.5
	Annual Energy Consumption	Cooling	258	444	444	519	-	-
Heating		1367	1999	2604	2833	-	-	
Moisture Removal			2.2	2.7	2.5	3.3	4.5	5.0
	Sound Pressure Level	Indoor (Cooling)	H/M/L/Q	33/32/31/28	35/33/32/29	40/38/36/33	44/41/38/34	46/42/39/35
Indoor (Heating)		H/M/L/Q	33/32/31/28	35/33/32/29	40/38/36/33	44/41/38/34	46/42/39/35	47/43/40/36
Outdoor(Cooling/Heating)		High	51/50	55/56	53/55	54/55	55/55	55/57
Sound Power Level	Indoor(Cooling/Heating)	High	47/47	49/49	54/54	58/58	60/60	61/61
	Outdoor(Cooling/Heating)	High	64/62	68/68	67/69	68/70	68/68	69/71
Airflow Rate	Indoor / Outdoor		1050/1900	1150/2460	1600/3600	1900/3800	2000/6750	2100/6750
	Net Dimensions H x W x D Weight	Indoor		mm	246×840×840	246×840×840	288×840×840	288×840×840
		kg(lbs)	24 (53)	24 (53)	26 (57)	26 (57)	29 (64)	
Outdoor		mm	620×790×290	620×790×290	830×900×330	830×900×330	1290×900×330	
		kg(lbs)	41 (90)	41 (90)	61 (134)	61 (134)	86 (189)	
Connection Pipe Diameter (Liquid / Gas)			mm	6.35/12.7	6.35/15.88	9.52/15.88	9.52/15.88	9.52/15.88
Drain hose Diameter (I.D./O.D.)			mm	25/32	25/32	25/32	25/32	25/32
Max Pipe Length (Pre-Charge)			m	30 (15)	30 (15)	50 (20)	50 (20)	50 (20)
Max Height Difference				20	20	30	30	30
Operation Range	Cooling	°CDB	-15 to 46	-15 to 46	-15 to 46	-15 to 46	-15 to 46	-15 to 46
	Heating		-15 to 24	-15 to 24	-15 to 24	-15 to 24	-15 to 24	-15 to 24
Refrigerant	Type (Global Warming Potential)		R410A (2,088)	R410A (2,088)	R410A (2,088)	R410A (2,088)	R410A (2,088)	R410A (2,088)
	Charge		kg(CO2eq-T)	1.80 (3.8)	1.80 (3.8)	2.10 (4.4)	2.10 (4.4)	3.35 (7.0)
Cassette Grille	Variation		UTG-UKYA-W: White Color with touch panel wired remote controller UTG-UKYA-W: White Color / UTG-UKYA-B*: Black Color					
	Dimensions (H x W x D)		mm	53×950×950	53×950×950	53×950×950	53×950×950	53×950×950
	Weight		kg(lbs)	6.0 (13)	6.0 (13)	6.0 (13)	6.0 (13)	6.0 (13)

\*1: IR Receiver kit and human sensor kit cannot be connected.

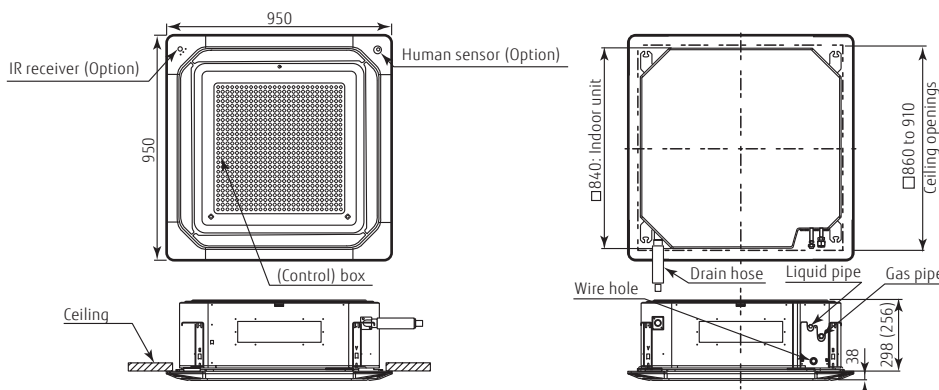
**Optional parts**

- |   |   |
|---|---|
| Wired Remote Controller: UTY-RNRYZ2, UTY-RVNYM, UTY-RLRY, UTY-RNNYM | Air Outlet Shutter Plate: UTR-YDZK                            |
| Simple Remote Controller: UTY-RSNYM, UTY-RSRY                       | Insulation Kit For High Humidity: UTZ-KXRA                    |
| IR Receiver Kit: UTY-LBTYC  | Flesh Air Intake Kit: UTZ-VXRA                                |
| Human Sensor Kit: UTY-SHZXC   | External input and output PCB (with box): UTY-XCSX + UTZ-GXRA |
| Wide Panel: UTG-AKXA-W  | External connect kit: UTY-XWZXZG, UTY-XWZXZ3                  |
| Panel Spacer: UTG-BKXA-W  | Cassette Grille: UTG-UKYA-W, UTG-UKYA-B, UTG-UKYC-W           |
|   | Wireless LAN Interface: UTY-TFNXZ1                            |



**Dimensions**

(Unit : mm)



( ) : AUXG18/24LRLB